

COMPACT EXCAVATOR

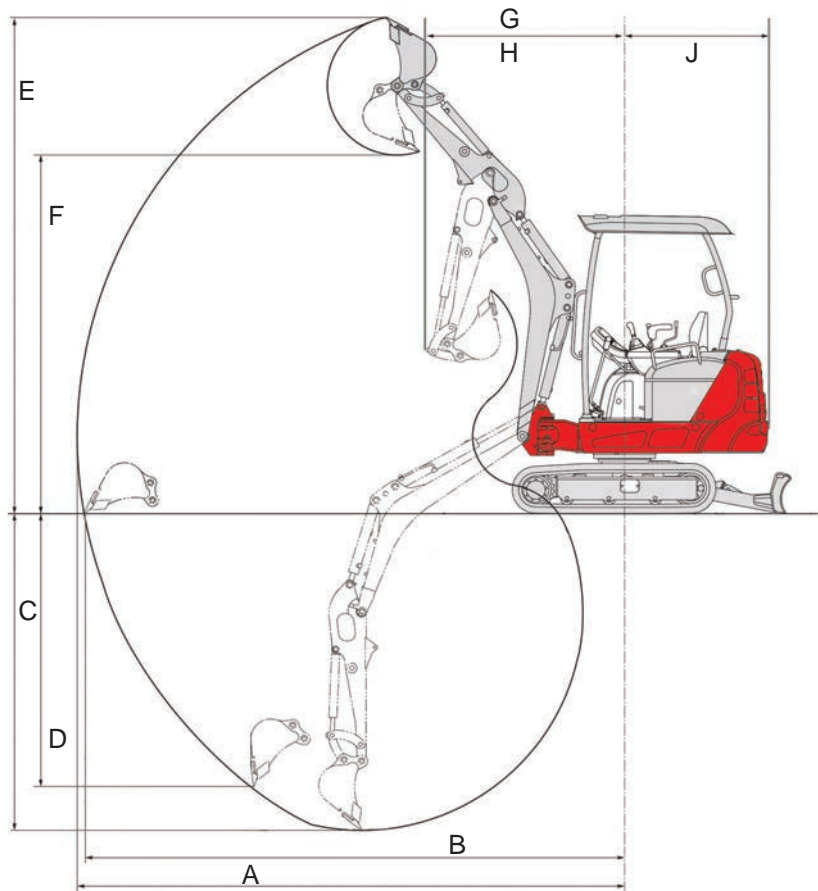
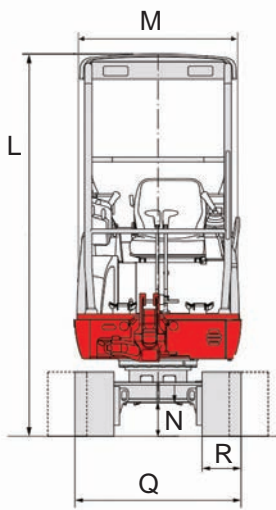
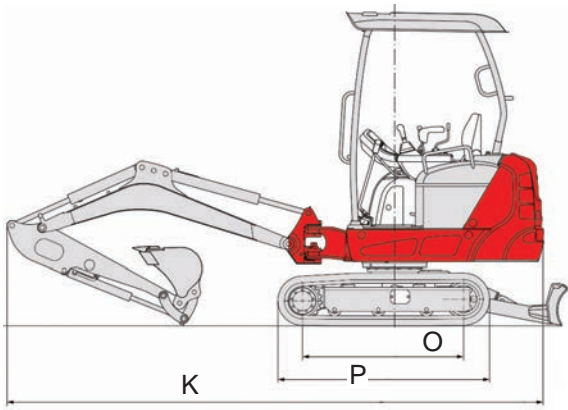
TAKEUCHITM
From World First to World Leader

TB216



Operating Weight: 1,770 kg

TB216 Compact Excavator



MACHINE DIMENSIONS

930 mm Arm

A	Maximum Reach	3,900 mm
B	Maximum Reach at Ground Level	3,845 mm
C	Maximum Digging Depth	2,190 mm
D	Maximum Vertical Digging Depth	1,870 mm
E	Maximum Height of Cutting Edge	3,590 mm
F	Maximum Dumping Height	2,550 mm
G	Front Swing Radius	1,435 mm
H	Front Swing Radius with Boom Offset	1,120 mm
J	Slew Radius	1,075 mm
K	Overall Length	3,875 mm
L	Overall Height (Cab / Canopy)	2,360 mm / 2,280 mm
M	Upper Structure Overall Width (Cab / Canopy)	1,055 mm / 985 mm
N	Ground Clearance	205 mm
O	Crawler Base	1,155 mm
P	Crawler Overall Length	1,520 mm
Q	Crawler Overall Width - Crawler Retracted	980 mm
Q'	Crawler Overall Width - Crawler Extended	1,300 mm
R	Crawler Shoe Width	230 mm

OPERATING PERFORMANCE	Serial No. 216000002 or later	Serial No. 216100002 or later
Operating Weight - Cab	1,865 kg	N/A
Operating Weight - Canopy	1,770 kg	
Bucket Capacity (Heaped)	0.038m ³	
Slew Speed	9.2 min-1	
Travel Speed		
1st	2.2 km/h	
2nd	4.2 km/h	
Gradeability	15°	
Ground Pressure - Cab	31.0 kPa	N/A
Ground Pressure - Canopy	29.4 kPa	
Maximum Bucket Breakout Force	14 kN	
Maximum Arm Digging Force	8.2 kN	
Traction Force	19.4 kN	
Boom Swing Angle (Left/Right)	80° / 50°	

ENGINE	Yanmar 3TNV70	Yanmar 3TNV74
Model	Yanmar 3TNV70	Yanmar 3TNV74
Rated Output (ISO 14396)	11.5 kW / 2,400 min-1	11.2 kW / 2,400 min-1
Maximum Torque	52.7 Nm / 1,800 min-1	51.8 Nm / 1,800 min-1
Displacement	854 ml	993 ml
Alternator	12 V - 0.48 kW	
Battery (IEC 60095-1)	12 V - 45 A·h	

FLUID CAPACITY	
Engine Lubrication	2.8 L
Cooling System	3.8 L
Fuel Tank Capacity	22.0 L
Hydraulic Reservoir Capacity	16.0 L
Hydraulic System Capacity	24.5 L

HYDRAULIC SYSTEM	Serial No. 216000002 or later	Serial No. 216100002 or later
P1, P2	Variable Displacement Pump	
Flow Rate	16.8 L/min	
Relief Pressure	21.0 MPa	
P3	Gear Pump	
Flow Rate	10.8 L/min	
Relief Pressure	20.0 MPa	
Service Port 1		
Flow Rate	33.6 L/min	
Hydraulic Pressure	21.0 MPa	
Service Port 2		
Flow Rate	10.8 L/min	
Hydraulic Pressure	20.0 MPa	
Service Port 3		
Hydraulic Pressure	20.0 MPa	

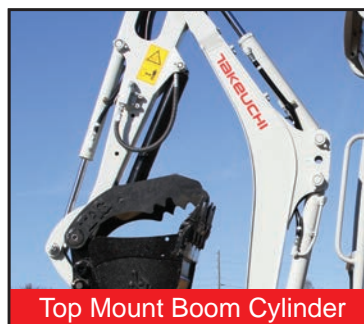
SAFETY and HEALTH		
Vibration Levels		
Hand / Arm		≤ 2.5 m/s ²
Body		≤ 0.5 m/s ²
Noise Level		
Sound Power Level		Lwa 93 dB



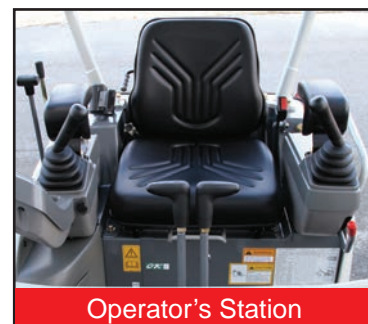
Multi-Informational Display



Retractable Undercarriage



Top Mount Boom Cylinder



Operator's Station

TOUGH, POWERFUL, RELIABLE



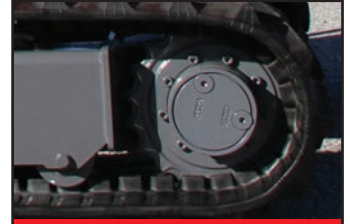
Top Mount Boom Cylinder



Convenient Filter Access



High Capacity Cooling



Two-Speed Travel

The TB216 has a wide range of features to make any job easier. Standard equipment includes an improved multi-informational display, two-speed travel, pilot operated joystick controls, a high capacity cooling system, and convenient filter and service access.

The boom comes equipped with a topside boom cylinder and the hydraulic plumbing is well protected within the boom and arm.

Auxiliary hydraulics and boom pivot are controlled using the foot pedals located on the left and right side of the floor. An optional pattern change valve is conveniently positioned inside the seat pedestal.

The TB216 is rugged, dependable, and productive. It provides exceptional value, and demonstrates outstanding performance.



Easy Maintenance and Service Access